

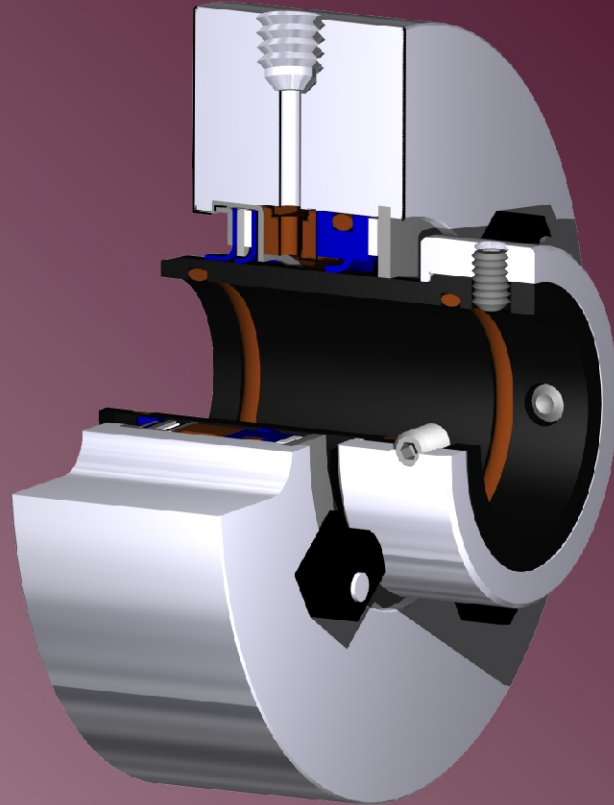
# FLUIDOL®

*For All your Fluid  
Sealing needs*

## STYLE 42

### ULTIMATE SEALING FOR:

POSITIVE DISPLACEMENT PUMPS: VIKING ROPER MOYNO TUTHILL BLACKMER WAUKESHA GORMAN RUPP & OTHERS	CENTRIFUGAL PUMPS: GOULDS DURCO DEAN BROS & OTHERS  MIXERS CONVEYERS ROTARY VALVES
--	---



### TYPICAL APPLICATIONS

Chocolate	Adhesive	AFFF	Asphalt	Caustic	Fructose
Fuels	Coatings	Corn Syrup	Emulsions	Fats	Molasses
Oil	Glue	HFCS	Ink	Latex	Sealants
Soaps	Paints	Paper	Polymer	Resin	Tar
	Solvents	Starch	Syrups	Tallow	
		Varnish	Wax		

*MULTIPLE ELEMENT MECHANICAL CARTRIDGE SEAL*

2125 So. James Rd. Columbus, Ohio 43232  
Phone: 614-239-7811 Fax: 614-239-7850 email: [fluidol@sps-inc.com](mailto:fluidol@sps-inc.com)  
[www.fluidol.com](http://www.fluidol.com) [sps-inc.com](http://sps-inc.com) [magnalube-g.com](http://magnalube-g.com) [rota-seal.com](http://rota-seal.com)

# STYLE 42

## MULTIPLE ELEMENT CARTRIDGE SEAL

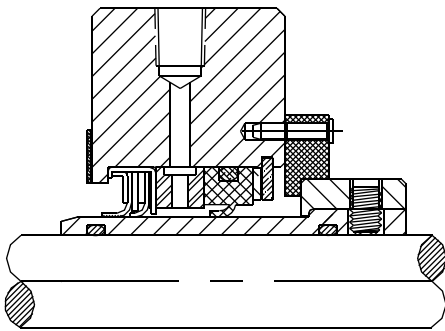
The Style 42's faceless, springless design allows sealing of previously impossible applications. Solid Silicon Carbide Ultra Hard Sleeve dissipates heat, runs cooler and lasts longer in tough services.

### FEATURES

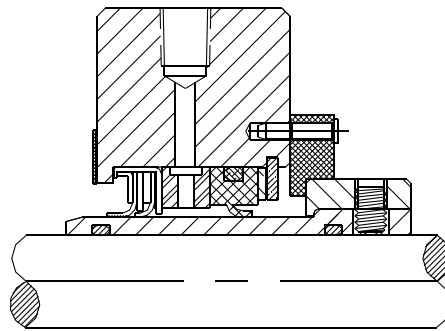
- Fluidol G2 Sealing Units
- Unique Hydrodynamic or Annular Sealing Elements
- Heavy-Duty Machined Gland
- Unique Bi-material Sleeve
- One Dynamic Component
- Repair Kits Available

### BENEFITS

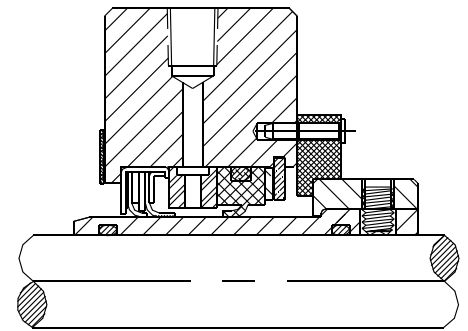
- Non-clogging in viscous liquids Dry running capability  
Sealing units available in many materials to suit various applications  
Excellent chemical resistance Only one wetted o-ring
- Produces a pumping action to increase sealing life  
Not affected by axial end play or intermittent operation and torque  
Bi-direction annular units available for pump reversing  
Multiple arrangements
- No distortion of sealing surfaces  
Custom glands available
- Features Silicon Carbide/Metal Combination  
High heat dissipation sleeve extends seal lip life
- No moving o-rings No faces to stick or wear  
No springs to clog
- Easily repaired on-site



TYPICAL SEAL ARRANGEMENT



VACUUM SEAL ARRANGEMENT



DOUBLE SEAL ARRANGEMENT

### Authorized Distributor

**WARNING:** Examples of operating applications and properties are typical in the industry. Your application may not be typical. Serious injury or property damage could result from mis-applications. Applications should not be undertaken without independent study and evaluation. Consult FLUIDOL for specific recommendations regarding your application. The performance data expressed in our brochure has been garnered from field tests, in-house tests and/or field reports from customers. While great care was taken in compiling this information, we accept no responsibility for errors in this publication. Our specifications are subject to change without notice.

FLUIDOL is a registered trademark name for mechanical seals, packings, TLS Everseals and other engineered products.

#### Performance

Pressure: To 300 psig (20 bar)  
Vacuum: 26" Hg with sealing units pointing at vacuum  
Temperature: To 300° F (150°C); Over 300°F, consult Fluidol  
Surface speed: To 3000 fpm (15 m/s) dry running;  
To 5000 fpm (25m/s) with environmental control.  
Runout: 0.005" (0.13mm) TIR Standard;  
Greater TIR runout available  
Axial end play: ± 0.125" (3.2mm)

#### Materials:

Metal parts: 316SS (other materials available)  
Set screws: Hastelloy C\*  
O-rings: Fluoroelastomer standard; (other materials available)  
Sealing units: Fluidol G2 Standard.  
Other Fluidol materials to suit your applications.  
Sleeve: Silicon Carbide/316SS Standard  
Other combinations available

\* Hastelloy C is a registered trademark of Haynes Internationals